

# TECNOVIDEO

CCTV SYSTEMS AND ACCESSORIES

## WP SERIES

STAINLESS STEEL WASHER SYSTEM

SAFE AREA

AISI316L STAINLESS STEEL FRAME OR CABINET  
FOR USE IN HIGHLY CORROSIVE ENVIRONMENTS  
EASY INSTALLATION AND MAINTENANCE  
5, 10 AND 25 LITRES RESERVOIR CAPACITY  
10 AND 15 METRES MAX DELIVERY HEAD PUMPS  
OPTIONAL FLOAT SWITCH



WP5, WP10 AND WP25 WASHER SYSTEMS (CABINET AND FRAME VERSIONS)

## TECHNICAL SPECIFICATIONS

### GENERAL & MECHANICAL

<b>Dimensions</b>	See drawings next page
<b>Operating Temperature</b>	-20° +60°C (-4° +140° F)
<b>Construction</b>	AISI316L Stainless Steel (cabinet/frame)
<b>Tank Material</b>	Polyethylene high density and molecular weight (HDPE HMW) highly resisting to chemical products
<b>Hose Material</b>	EPDM black rubber
<b>Cable entries</b>	cable glands for 5,5-8mm diameters cables

### Weight

Model	Empty unit [kg]	Package [kg]
WP5 (frame)	3	4
WP10 (frame)	4	5
WP25 (frame)	7	8
WP (cabinet)	14	15

### ELECTRICAL

<b>Available supply voltages</b>	24, 110, 230V~ (+/-10%)
<b>Power consumption</b>	50W max (10 metres pump) 85W max (15 metres pump)

### CERTIFICATIONS

<b>Ingress Protection (EN 60529)</b>	IP66 (junction box)
<b>EMC</b>	2004/108/EC
<b>LVD</b>	2006/95/EC
<b>RoHS</b>	2011/65/EU
<b>WEEE</b>	2012/19/EU

### MODELS (FRAME)

WP510DXF24	5L tank, 10m pump, control: direct.
WP510VXF24	5L tank, 10m pump, control: 24V~ relay interface.
WP510CXF24	5L tank, 10m pump, control: dry contact interface.
WP510DSF24	5L tank, 10m pump, control: direct. Float switch.
WP510VSF24	5L tank, 10m pump, control: 24V~ relay interface. Float switch.
WP510CSF24	5L tank, 10m pump, control: dry contact interface. Float switch.
WP1010DXF24	10L tank, 10m pump, control: direct.
WP1010VXF24	10L tank, 10m pump, control: 24V~ relay interface.
WP1010CXF24	10L tank, 10m pump, control: dry contact interface.
WP1010DSF24	10L tank, 10m pump, control: direct. Float switch.
WP1010VSF24	10L tank, 10m pump, control: 24V~ relay interface. Float switch.
WP1010CSF24	10L tank, 10m pump, control: dry contact interface. Float switch.
WP2510DXF24	25L tank, 10m pump, control: direct.
WP2510VXF24	25L tank, 10m pump, control: 24V~ relay interface.
WP2510CXF24	25L tank, 10m pump, control: dry contact interface.
WP2510DSF24	25L tank, 10m pump, control: direct. Float switch.
WP2510VSF24	25L tank, 10m pump, control: 24V~ relay interface. Float switch.
WP2510CSF24	25L tank, 10m pump, control: dry contact interface. Float switch.
WP2515DXF24	25L tank, 15m pump, control: direct.
WP2515VXF24	25L tank, 15m pump, control: 24V~ relay interface.
WP2515CXF24	25L tank, 15m pump, control: dry contact interface.
WP2515DSF24	25L tank, 15m pump, control: direct. Float switch.
WP2515VSF24	25L tank, 15m pump, control: 24V~ relay interface. Float switch.
WP2515CSF24	25L tank, 15m pump, control: dry contact interface. Float switch.

All the above models are 24V~ models. Suffixes 110 and 230 are used for models 110V~ and 230V~, respectively.

### MODELS (CABINET)

WP510DXC24	5L tank, 10m pump, control: direct.
WP510VXC24	5L tank, 10m pump, control: 24V~ relay interface.
WP510CXC24	5L tank, 10m pump, control: dry contact interface.
WP510DSC24	5L tank, 10m pump, control: direct. Float switch.
WP510VSC24	5L tank, 10m pump, control: 24V~ relay interface. Float switch.
WP510CSC24	5L tank, 10m pump, control: dry contact interface. Float switch.
WP1010DXC24	10L tank, 10m pump, control: direct.
WP1010VXC24	10L tank, 10m pump, control: 24V~ relay interface.
WP1010CXC24	10L tank, 10m pump, control: dry contact interface.
WP1010DSC24	10L tank, 10m pump, control: direct. Float switch.
WP1010VSC24	10L tank, 10m pump, control: 24V~ relay interface. Float switch.
WP1010CSC24	10L tank, 10m pump, control: dry contact interface. Float switch.

All the above models are 24V~ models. Suffixes 110 and 230 are used for models 110V~ and 230V~, respectively.

### ACCESSORIES AND SPARE PARTS

Nozzle for wiper camera housing (if not included with camera housing)

[www.tecnovideoctv.com](http://www.tecnovideoctv.com)

## STAINLESS STEEL WASHER SYSTEM

### CODING

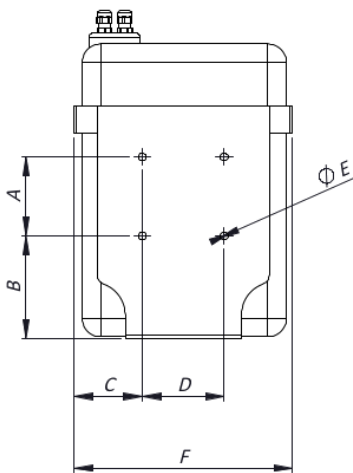
Meaning	Washer pump	Capacity	Delivery height	Activation	Float switch	Frame/Cabinet	Supply Voltage
Example	WP	10	10	D	X	F	24
Values	WP: washer pump	5 litres 10 litres 25 litres	10 metres 15 metres	D: direct V: 24V~ relay interface C: dry contact/open collector (NPN) interface	S: with float switch X: without float switch	F: frame C: cabinet	24 V~ 110 V~ 230 V~

**WP1010DXF24:** Washer pump (WP), 10 litres (10), 10 metres (10), direct activation through supply voltage (D), without float switch (X), enclosed in a frame (F) and with 24V~ supply voltage (24)

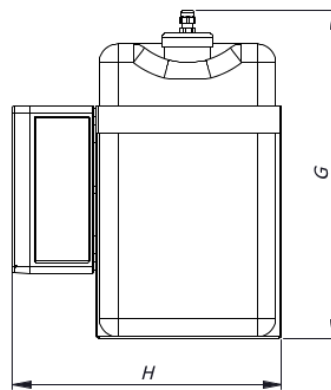
The cabinet is not available for 25 litres tank systems. The 15 metres pump is only available for 25 litres tank systems. Every other configuration is available.

### DIMENSIONS

FRAME FRONT VIEW



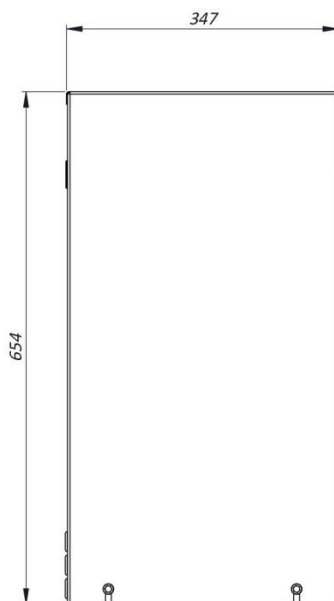
FRAME SIDE VIEW



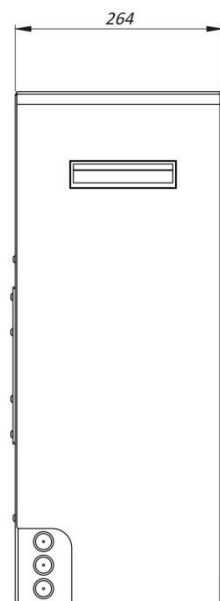
	WP5	WP10	WP25
A	85	85	85
B	25	110	145
C	53,5	73,5	113,5
D	88	88	88
E	8,5	8,5	8,5
F	195	235	315
G	279	353	527
H	263	290	355*

\* 376 for 15 meters model

CABINET FRONT VIEW



CABINET SIDE VIEW



CABINET MOUNTING PATTERN

