

# TECNOVIDEO

CCTV SYSTEMS AND ACCESSORIES

## VSPT250 SERIES

STAINLESS STEEL PAN & TILT UNIT

SAFE AREA

AISI316L STAINLESS STEEL CONSTRUCTION  
FOR USE IN HIGHLY CORROSIVE ENVIRONMENTS  
EASY INSTALLATION AND MAINTENANCE  
MAXIMUM LOAD 25 KG  
WEATHERPROOF STANDARD IP66/IP67  
SUITABLE FOR THIRD PARTY CAMERA HOUSINGS



VSPT250 PAN & TILT UNIT

### TECHNICAL SPECIFICATIONS

#### GENERAL & MECHANICAL

<b>Dimensions</b>	See drawings next page
<b>Operating Temperature</b>	-20° +60°C (-4° +140° F)
<b>Construction</b>	AISI316L Stainless Steel
<b>Finish</b>	Electro-polished
<b>Mounting</b>	4x M8 on 101,6 PCD
<b>Cable entries</b>	2 M20x1,5 cable entry
<b>Pan Angle</b>	350° (+/-175°)
<b>Pan Speed</b>	0 – 36°/second
<b>Pan Torque</b>	80 Nm
<b>Tilt Angle</b>	180° (+/-90°)
<b>Tilt Speed</b>	0 – 18°/second
<b>Tilt Torque</b>	107 Nm
<b>Rotation angle</b>	Electronically adjustable
<b>Backlash</b>	<0,1°
<b>Max preset accuracy</b>	0,5°
<b>Maximum load</b>	25 kg
<b>Control protocol</b>	Pelco D (via RS485)

<b>Weight</b>		
<b>Model</b>	<b>Unit [kg]</b>	<b>Package [kg]</b>
VSPT250	18	19

#### ELECTRICAL

<b>Supply voltage</b>	24V~ (+/-10%)
<b>Power consumption</b>	80W

#### CERTIFICATIONS

<b>Ingress Protection (EN 60529)</b>	IP66/IP67
<b>EMC</b>	EN 61000-6-3:2007; EN 50130-4:1995 + A1:1998 + A2:2003 EN 60950-1:2006 + A11:2009
<b>LVD</b>	2011/65/EU
<b>RoHS</b>	2012/19/EU
<b>WEEE</b>	2012/19/EU

#### MODELS

<b>VSPT250</b>	Standalone Pan & Tilt unit
----------------	----------------------------

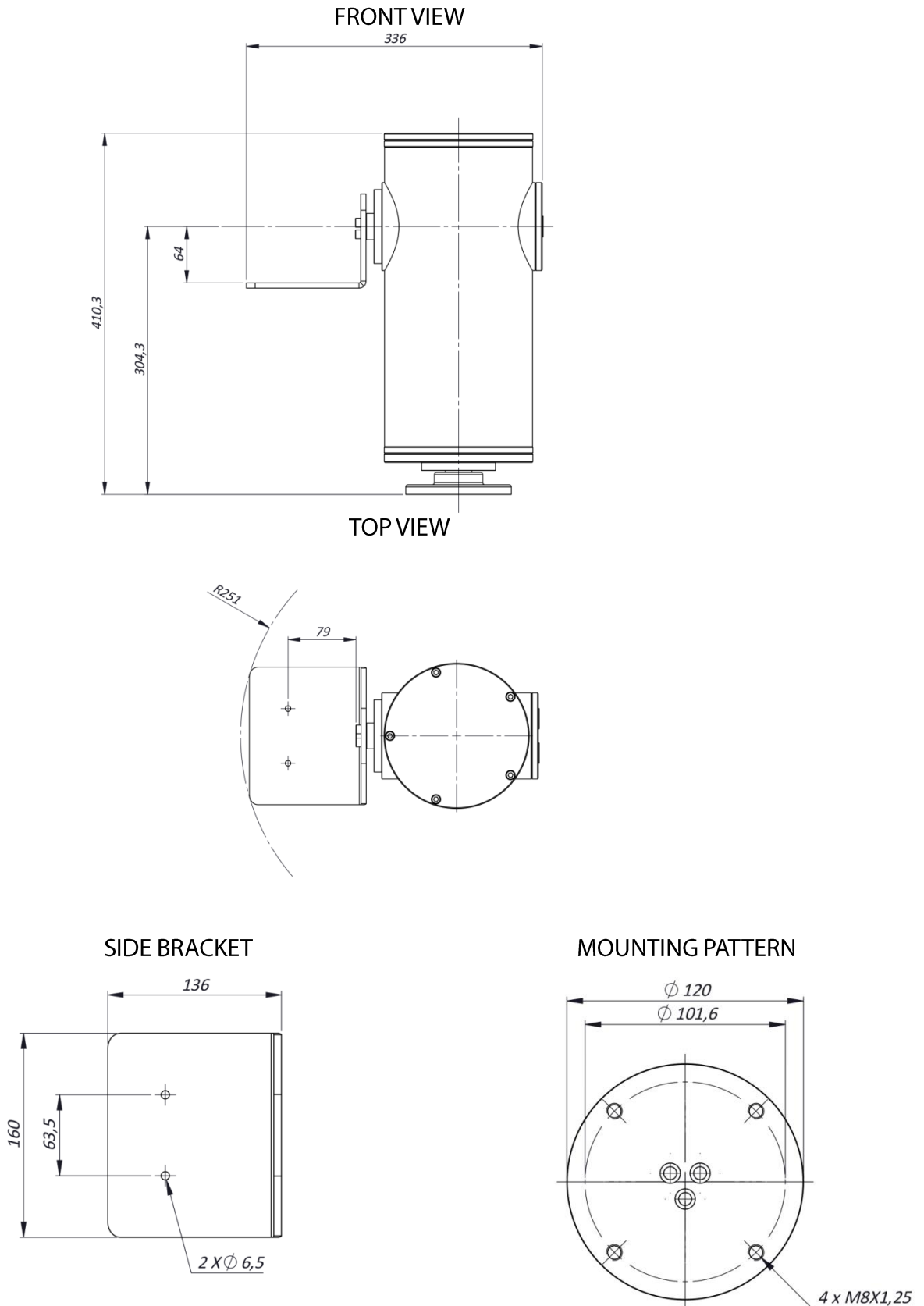
#### MOUNTING ACCESSORIES

<b>SSBK250</b>	Wall mounting bracket
<b>SSPM250</b>	Pole mount adapter for SSBK250

#### ACCESSORIES AND SPARE PARTS

<b>RX250DC</b>	Telemetry controller for VSPT250
----------------	----------------------------------

## DIMENSIONS



*The unit cannot be installed upside-down nor horizontally*

Dimensions in millimetres - Tolerances according QMS - Design and products specifications subject to change without notice - rev. 20160824