

TECNOVIDEO

CCTV SYSTEMS AND ACCESSORIES

PTZ200 SERIES

STAINLESS STEEL PTZ CAMERA STATION

SAFE AREA

AISI316L STAINLESS STEEL CONSTRUCTION
FOR USE IN HIGHLY CORROSIVE ENVIRONMENTS
EASY INSTALLATION AND MAINTENANCE
WEATHERPROOF STANDARD IP66/IP67
SUITABLE FOR FULL HD IP CAMERAS
DAY/NIGHT AND IR THERMAL VERSIONS AVAILABLE



PTZ200 PTZ CAMERA STATION

TECHNICAL SPECIFICATIONS

GENERAL & MECHANICAL

Dimensions See drawings next page
Operating Temperature -20° +60°C (-4° +140° F)
Construction AISI316L Stainless Steel
Finish Electro-polished
Mounting 4x Ø11 on 195 PCD
Cable entries 2 M25x1,5 cable entry

Pan Angle 360° continuous rotation
Pan Speed 0 – 36°/second

Tilt Angle 180° (+/-90°)
Tilt Speed 0 – 18°/second

Rotation angle Electronically adjustable
Backlash <0,1°
Max preset accuracy 0,04°

Weight (without cameras)

Model	Unit [kg]	Package [kg]
PTZ200	25	27
PTZ200IR	24	26

ELECTRICAL

Supply voltage 24V~, 230V~ (+/-10%)
Power consumption 80W

Thermostatically controlled heater
T[°C] ON = 12 ± 4°C, T[°C] OFF = 20 ± 3°C

CERTIFICATIONS

Ingress Protection (EN 60529) IP66/IP67
EMC EN 61000-6-3:2007;
EN 50130-4:1995 + A1:1998 + A2:2003
LVD EN 60950-1:2006 + A11:2009
RoHS 2011/65/EU
WEEE 2012/19/EU

MODELS

PTZ200/24 For Day/Night cameras (usable Ø72 mm), integrated wiper, 360° continuous pan rotation, 24V~

PTZ200/230 For Day/Night cameras (usable Ø72 mm), integrated wiper, 360° continuous pan rotation, 230V~

PTZ200IR/24 Germanium front window (usable Ø70 mm; thickness 3 mm; AR/DLC coating) for thermal imaging cameras, 360° continuous pan rotation, 24V~

PTZ200IR/230 Germanium front window (usable Ø70 mm; thickness 3 mm; AR/DLC coating) for thermal imaging cameras, 360° continuous pan rotation, 230V~

All the above PTZ camera stations include sunshield and heater, a built-in telemetry receiver, variable speed motors, fixed cable entry (2 M25x1,5) with base mount junction box.

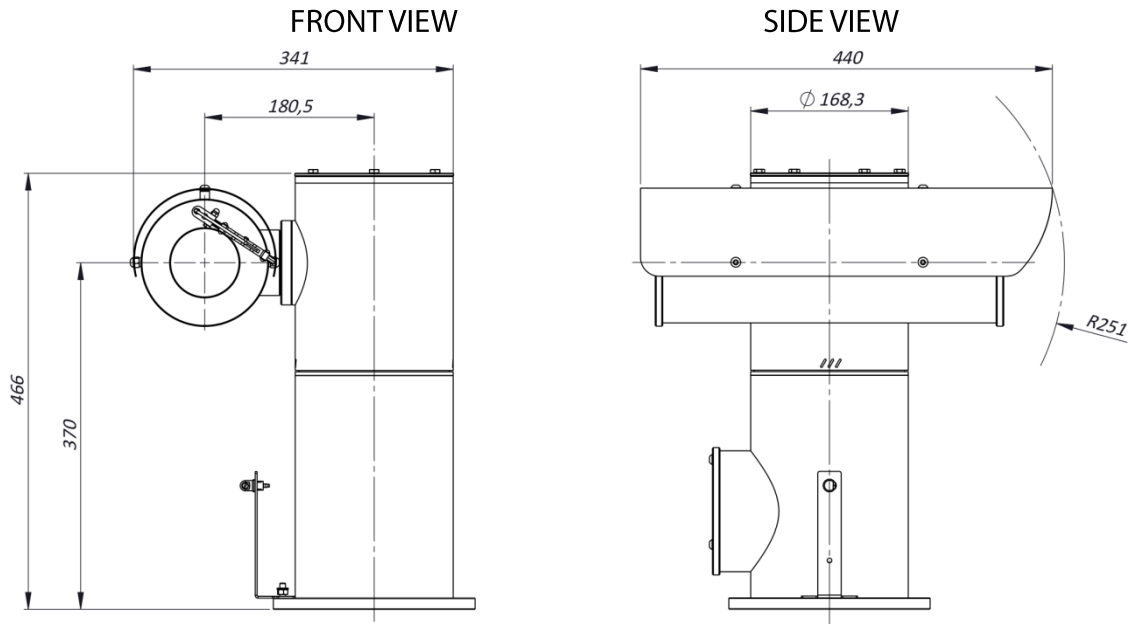
MOUNTING ACCESSORIES

SSBK500 Wall mounting bracket

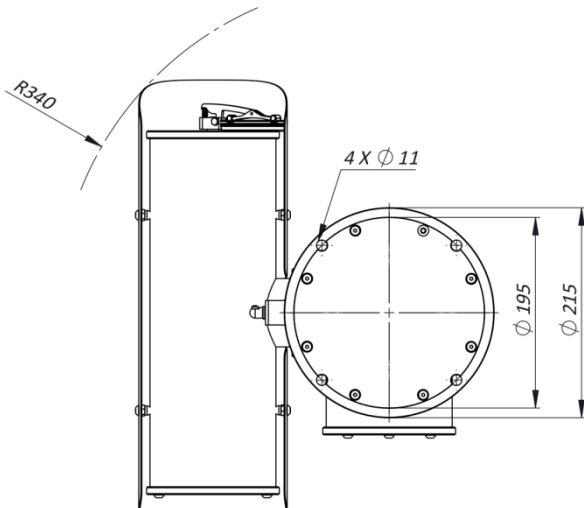
ACCESSORIES AND SPARE PARTS

MKPTZ200 Maintenance kit with O-Ring seals, screws, desiccant bags, for PTZ200 Series

DIMENSIONS



MOUNTING PATTERN



MAX INTERNAL AVAILABLE DIMENSIONS

Model	Max internal dimensions [mm]	Max usable internal diameter [mm]
PTZ200	80x80x200	86
PTZ200IR	80x80x200	96

Please contact us for more information on suitable camera models