

# TECNOVIDEO

CCTV SYSTEMS AND ACCESSORIES

## EXPT SERIES

STAINLESS STEEL PAN & TILT UNIT



HAZARDOUS AREA

AISI316L STAINLESS STEEL CONSTRUCTION  
FOR USE IN HIGHLY CORROSIVE ENVIRONMENTS  
EASY INSTALLATION AND MAINTENANCE  
MAXIMUM LOAD 25 KG  
WEATHERPROOF STANDARD IP66/IP67  
SUITABLE FOR THIRD PARTY CAMERA HOUSINGS



EXPT PAN & TILT UNIT

### TECHNICAL SPECIFICATIONS

#### GENERAL & MECHANICAL

<b>Dimensions</b>	See drawings next page
<b>Operating Temperature</b>	-20° +60°C (-4° +140° F)
<b>Construction</b>	AISI316L Stainless Steel
<b>Finish</b>	Electro-polished
<b>Mounting</b>	4x M8 on 101,6 PCD
<b>Cable entries</b>	2 M20x1,5 cable entry

<b>Pan Angle</b>	350° (+/-175°)
<b>Pan Speed</b>	0 – 36°/second
<b>Pan Torque</b>	80 Nm

<b>Tilt Angle</b>	180° (+/-90°)
<b>Tilt Speed</b>	0 – 18°/second
<b>Tilt Torque</b>	107 Nm

<b>Rotation angle</b>	Electronically adjustable
<b>Backlash</b>	<0,1°
<b>Max preset accuracy</b>	0,5°
<b>Maximum load</b>	25 kg

<b>Control protocol</b>	Pelco D (via RS485)
-------------------------	---------------------

<b>Weight</b>	<b>Unit [kg]</b>	<b>Package [kg]</b>
<b>Model</b>		
EXPT	29	30

#### ELECTRICAL

<b>Supply voltage</b>	24V~ (+/-10%)
<b>Power consumption</b>	70W

#### CERTIFICATIONS

<b>Ingress Protection (EN 60529)</b>	IP66/IP67
<b>Rating</b>	⊕ II 2 G Ex db op pr IIC T6 Gb T <sub>amb</sub> -40°C to +60°C ⊕ II 2 D Ex tb IIIC T85°C Db IP66/IP67
<b>ATEX Standards</b>	EN 60079-0:2012; EN 60079-1:2014; EN 60079-28:2015; EN 60079-31:2014
<b>IECEx Standards</b>	IEC 60079-0:2011; IEC 60079-1:2014-06; IEC 60079-28:2015; IEC 60079-31:2013
<b>EMC</b>	EN 61000-6-3:2007; EN 50130-4:1995 + A1:1998 + A2:2003
<b>LVD</b>	EN 60950-1:2006 + A11:2009
<b>RoHS</b>	2011/65/EU
<b>WEEE</b>	2012/19/EU

#### MODELS

<b>EXPT</b>	Standalone Pan & Tilt unit
-------------	----------------------------

#### PRE-ASSEMBLED CONDUIT TAILS

<b>EXCT20AN</b>	3 metres 20 mm conduit tail analog + 2 M20 brass glands
<b>EXCT20AN1m</b>	1 metre additional EXCT20AN conduit tail

#### MOUNTING ACCESSORIES

<b>EXSSBKPT</b>	Wall mounting bracket
-----------------	-----------------------

#### ACCESSORIES AND SPARE PARTS

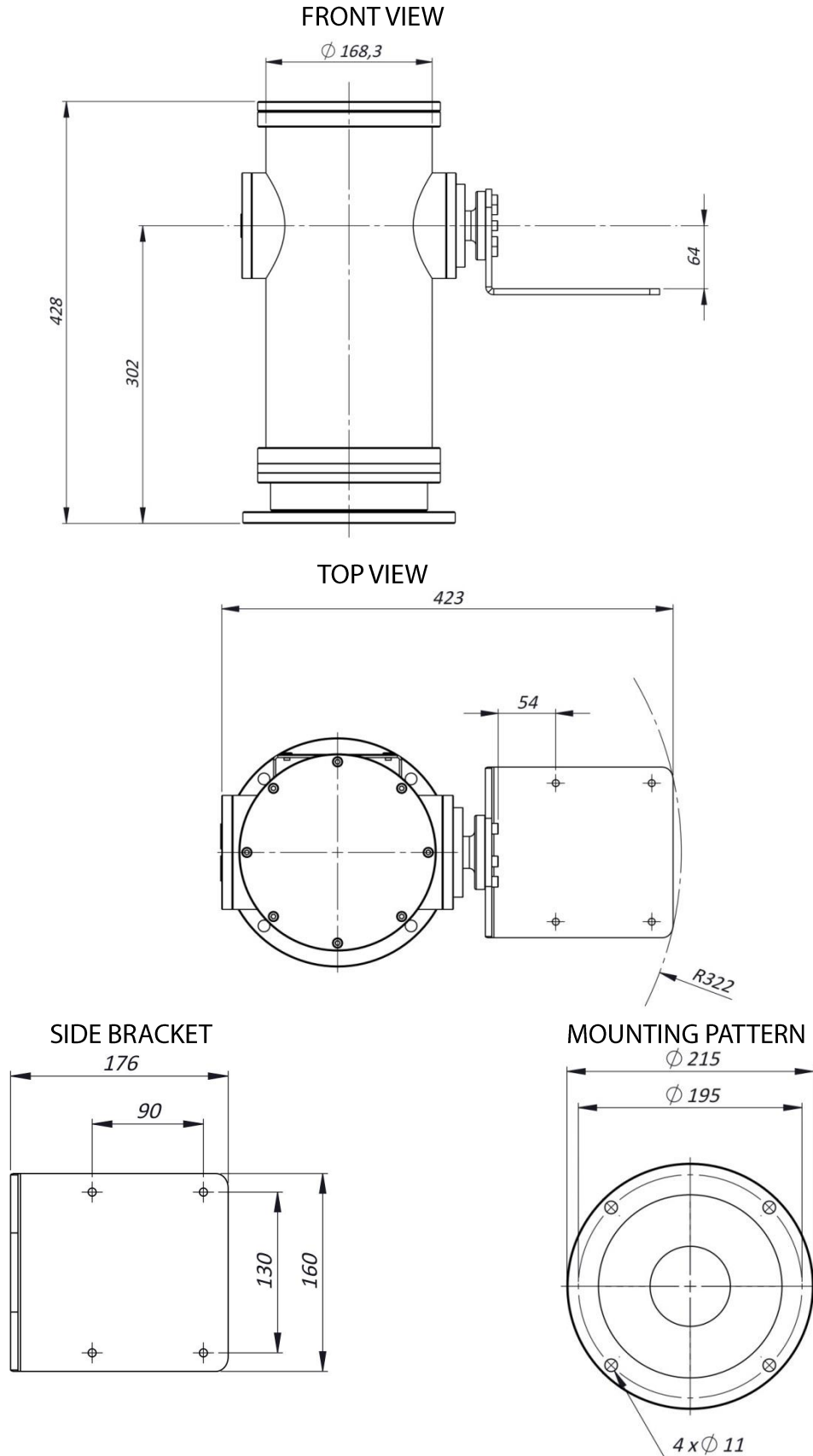
<b>RX250DC</b>	Telemetry controller for EXPT
----------------	-------------------------------

[www.tecnovideoctv.com](http://www.tecnovideoctv.com)

Tecnovideo S.r.l. - Via San L. Murialdo, 8 36030 Villaverla (VI) ITALY - Tel. +39.0445.350444 Fax +39.0445.357259 - [info@tecnovideoctv.com](mailto:info@tecnovideoctv.com)

## STAINLESS STEEL PAN & TILT UNIT

### DIMENSIONS



*The unit cannot be installed upside-down nor horizontally*

Dimensions in millimetres - Tolerances according QMS - Design and products specifications subject to change without notice - rev. 20160824