

TECNOVIDEO

CCTV SYSTEMS AND ACCESSORIES

ACCESSORIES



MOUNTING BRACKETS AND ADAPTERS

HAZARDOUS AREA

AISI316L STAINLESS STEEL CONSTRUCTION
FOR USE IN HIGHLY CORROSIVE ENVIRONMENTS
EASY INSTALLATION
REFINED AND MODERN DESIGN



EXSSBK129 MOUNTING BRACKET

TECHNICAL SPECIFICATIONS

GENERAL & MECHANICAL

Dimensions	See drawings
Construction	AISI316L Stainless Steel
Mounting	See drawings

Weight

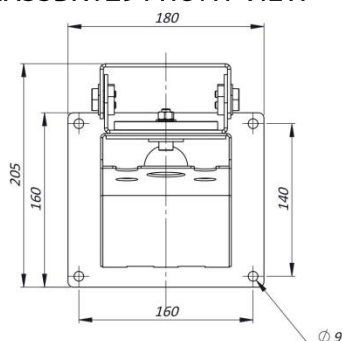
Model	Unit [kg]	Package [kg]
EXSSBK129	5	6
EXSSBKPT	8	9
EXSSBKPTZ	8	9
EXSSPM129	5	6
EXSSPTM129	2	3

CERTIFICATIONS

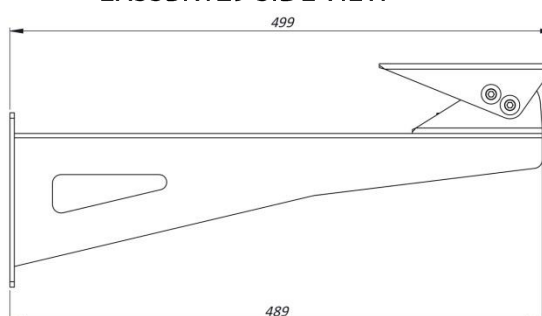
LVD	EN 60950-1:2006 + A11:2009
RoHS	2011/65/EU
WEEE	2012/19/EU

DIMENSIONS

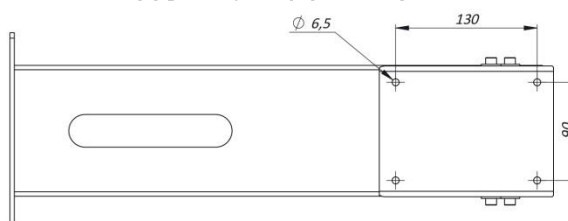
EXSSBK129 FRONT VIEW



EXSSBK129 SIDE VIEW



EXSSBK129 MOUNTING PATTERN



MOUNTING ACCESSORIES

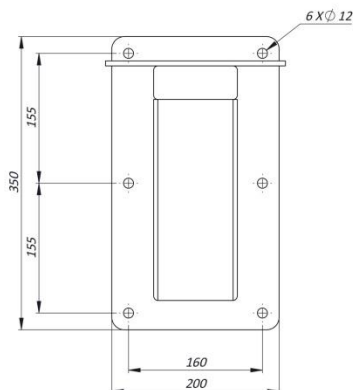
EXSSBK129	Wall mounting bracket with swivel joint for EX129 Series
EXSSBKPT	Wall mounting bracket for EXPT Series
EXSSBKPTZ	Wall mounting bracket for EXPTZ Series

ADAPTERS

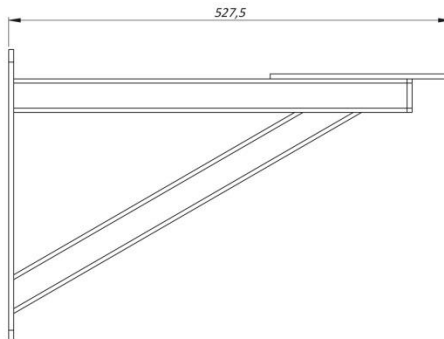
EXSSPM129	Pole mount adapter for EXSSBK129
EXSSPTM129	Pole top mount adapter for EX129 Series

DIMENSIONS

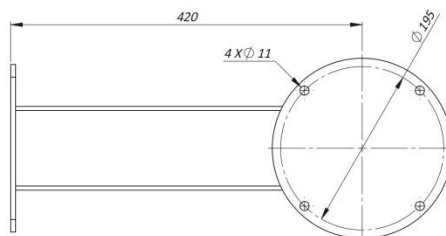
EXSSBKPT/EXSSBKPTZ FRONT VIEW



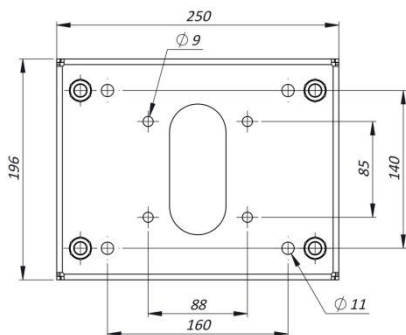
EXSSBKPT/EXSSBKPTZ SIDE VIEW



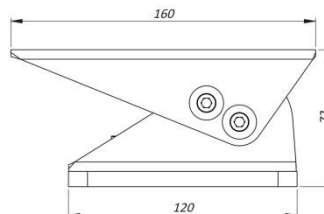
EXSSBKPT/EXSSBKPTZ MOUNTING PATTERN



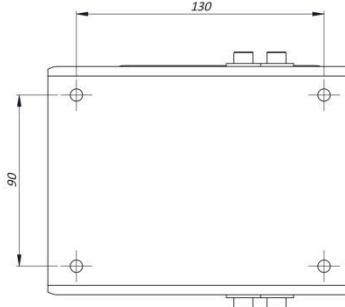
EXSSPM129 FRONT VIEW



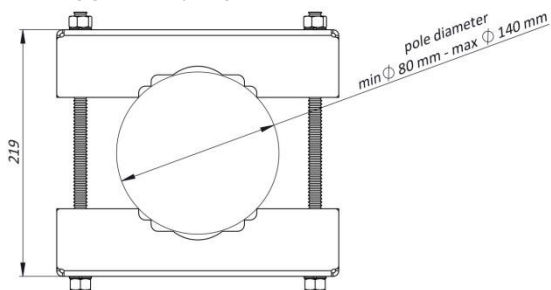
EXSSPTM129 SIDE VIEW



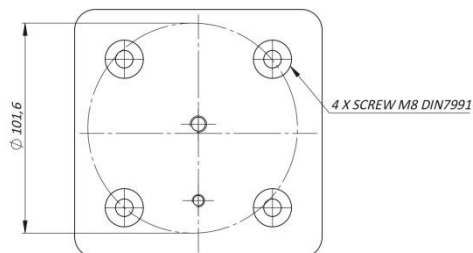
EXSSPTM129 TOP VIEW



EXSSPM129 TOP VIEW



EXSSPTM129 MOUNTING PATTERN



Dimensions in millimetres - Tolerances according QMS - Design and products specifications subject to change without notice - rev. 20160824