

TECNOVIDEO

CCTV SYSTEMS AND ACCESSORIES

254 SERIES

STAINLESS STEEL CAMERA STATION

SAFE AREA

AISI316L STAINLESS STEEL CONSTRUCTION
FOR USE IN HIGHLY CORROSIVE ENVIRONMENTS
EASY INSTALLATION AND MAINTENANCE
INTEGRATED WIPER VERSION AVAILABLE
WEATHERPROOF STANDARD IP66/IP67
SUITABLE FOR ANALOG AND IP CAMERAS
DAY/NIGHT AND IR THERMAL VERSIONS AVAILABLE
REFINED AND MODERN DESIGN



254WW CAMERA HOUSING WITH SUNSHIELD, HEATER AND WIPER

TECHNICAL SPECIFICATIONS

GENERAL & MECHANICAL

Dimensions	See drawings next page
Operating Temperature	-20° +60°C (-4° +140° F)
Construction	AISI316L Stainless Steel
Finish	Electro-polished
Mounting	See drawings next page
Cable entries	4 M20x1,5 nickel plated brass cable glands (included) Standard cable diameter 5-10mm

Weight		
Model	Unit [kg]	Package [kg]
254SH/254SHIR	25	30
254SH-L/254SHIR-L	27	32
254WW/254WWIR	26	31
254WW-L/254WWIR-L	28	33

ELECTRICAL

Thermostatically controlled heater	
T[°C] ON = 12 ± 4°C, T[°C] OFF = 20 ± 3°C	
Available voltages	24VUC (24V~/VDC), 230V~ (+/-10%)
Power consumption	25W

Wiper	
Available voltages	24VDC (+/-10%)
Power consumption	4W

CERTIFICATIONS

Ingress Protection(EN 60529)	IP66/IP67
EMC	EN 61000-6-3:2007; EN 50130-4:1995 + A1:1998 + A2:2003 EN 60950-1:2006 + A11:2009
LVD	
RoHS	2011/65/EU
WEEE	2012/19/EU

MODELS

254SH/24 ¹	Housing + sunshield + heater. Supply voltage: 24VUC
254SH-L/24 ¹	Housing + sunshield + heater. Supply voltage: 24VUC
254WW/24D ²	Housing + sunshield + heater + integrated wiper. 24VDC
254WW-L/24D ²	Housing + sunshield + heater + integrated wiper. 24VDC
254SHIR155/24 ³	Housing + sunshield + heater. Supply voltage: 24VUC
254SHIR155/230 ³	Housing + sunshield + heater. Supply voltage: 24VUC
254SHIR155-L/24 ³	Housing + sunshield + heater. Supply voltage: 24VUC
254SHIR155-L/230 ³	Housing + sunshield + heater. Supply voltage: 24VUC
254WWIR155/24D ³	Housing + sunshield + heater + integrated wiper. 24VDC
254WWIR155-L/24D ³	Housing + sunshield + heater + integrated wiper. 24VDC

- ¹ Usable front window diameter: 200 mm, thickness: 5 mm
² Usable front window diameter: 200 mm, thickness: 12 mm. Vandal resistant glass
³ Usable front window diameter: 155 mm, thickness: 5 mm. Germanium, AR/DLC coating

All the above models are 600mm long. Suffix -L is used for 700mm long models.

MOUNTING ACCESSORIES

SSBK254	Wall mounting bracket with swivel joint for 254 Series
SSPM254	Pole mount adapter for SSBK254

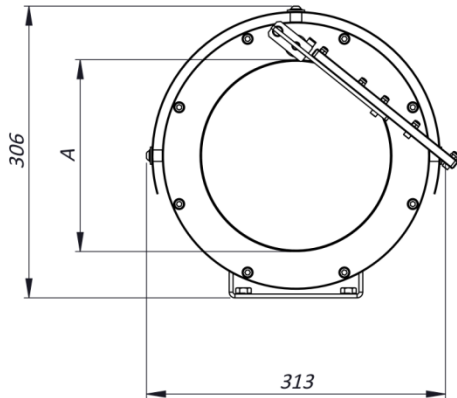
ACCESSORIES AND SPARE PARTS

WBK254	Wiper blade (complete assembly)
WBK254	Wiper blade (only spare part: rubber blade and support)
HK254	25W heater kit (24VUC)
MK254	Maintenance kit with O-ring seals, screws seals, screws, hex keys, desiccant bags

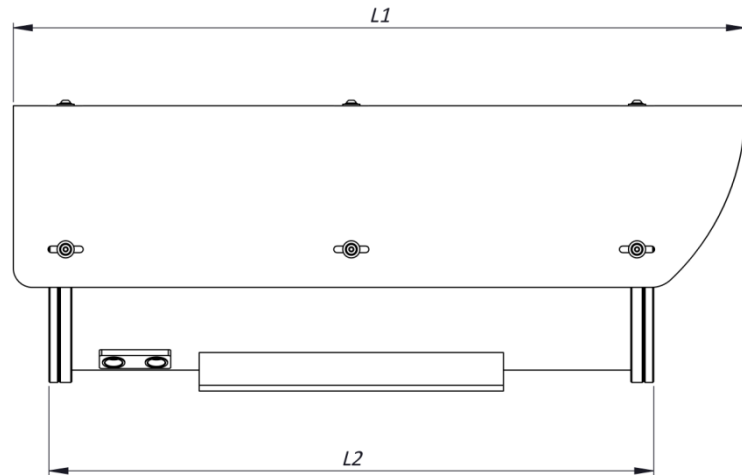
STAINLESS STEEL CAMERA STATION

DIMENSIONS

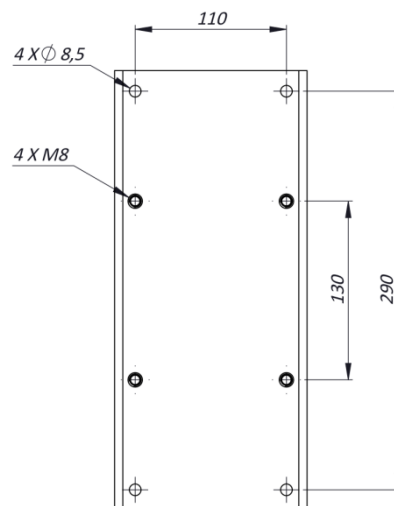
FRONT VIEW



SIDE VIEW



MOUNTING PATTERN



FOR "A" VALUES CHECK "MODELS" SECTION

MAX EXTERNAL LENGTH

Model	L1 [mm]	L2 [mm]
254SH/254HIR	770	636
254SH-L/254HIR-L	870	736
254WW/254WWIR	705	636
254WW-L/254WWIR-L	805	736

MAX INTERNAL USABLE AREA

Model	Max internal dimensions [mm]	Max usable internal diameter [mm]
254SH/254HIR	176x174x424	211
254SH-L/254HIR-L	176x174x524	211
254WW/254WWIR	176x174x424	191
254WW-L/254WWIR-L	176x174x524	191