

TECNOVIDEO

CCTV SYSTEMS AND ACCESSORIES

168 SERIES

STAINLESS STEEL CAMERA STATION

SAFE AREA

AISI316L STAINLESS STEEL CONSTRUCTION
FOR USE IN HIGHLY CORROSIVE ENVIRONMENTS
EASY INSTALLATION AND MAINTENANCE
INTEGRATED WIPER VERSION AVAILABLE
WEATHERPROOF STANDARD IP66/IP67
SUITABLE FOR ANALOG AND IP CAMERAS
DAY/NIGHT AND IR THERMAL VERSIONS AVAILABLE
REFINED AND MODERN DESIGN



168SH CAMERA HOUSING WITH SUNSHIELD AND HEATER

TECHNICAL SPECIFICATIONS

GENERAL & MECHANICAL

| | |
|------------------------------|---|
| Dimensions | See drawings next page |
| Operating Temperature | -20° +60°C (-4° +140° F) |
| Construction | AISI316L Stainless Steel |
| Finish | Electro-polished |
| Mounting | See drawings next page |
| Cable entries | 4 M20x1,5 nickel plated brass cable glands (included) Standard cable diameter 5-10mm |

| Weight | Unit [kg] | Package [kg] |
|---------------|-----------|--------------|
| Model | | |
| 168SH/168SHIR | 11 | 13 |
| 168WW/168WWIR | 12 | 14 |

ELECTRICAL

| | |
|---|---------------------------------|
| Thermostatically controlled heater | |
| T[°C] ON = 12 ± 4°C, T[°C] OFF = 20 ± 3°C | |
| Available voltages | 24VUC(24V~/VDC), 230V~ (+/-10%) |
| Power consumption | 15W |

| | |
|---------------------------|--------------------------------|
| Wiper | |
| Available voltages | 24V~, 230V~, 24VDC (+/-10%) |
| Power consumption | 6W (24V~, 230V~) 4W (24VDC) |

CERTIFICATIONS

| | |
|-------------------------------------|---|
| Ingress Protection(EN 60529) | IP66/IP67 |
| EMC | EN 61000-6-3:2007; EN 50130-4:1995 + A1:1998 + A2:2003 |
| LVD | EN 60950-1:2006 + A11:2009 |
| RoHS | 2011/65/EU |
| WEEE | 2012/19/EU |

MODELS

| | |
|-----------------------------------|---|
| 168SH/24¹ | Housing + sunshield + heater. Supply voltage: 24 VUC |
| 168SH/230¹ | Housing + sunshield + heater. 230 V~ |
| 168WW/24² | Housing + sunshield + heater + integrated wiper. 24 V~ |
| 168WW/230² | Housing + sunshield + heater + integrated wiper. 24 VDC |
| 168SHIR70/24³ | Housing + sunshield + heater. 24 VUC |
| 168SHIR70/230³ | Housing + sunshield + heater. 230 V~ |
| 168WWIR70/24³ | Housing + sunshield + heater + integrated wiper. 24 V~ |
| 168WWIR70/230³ | Housing + sunshield + heater + integrated wiper. 24 VDC |
| 168SHIR110/24⁴ | Housing + sunshield + heater. 24 VUC |
| 168SHIR110/230⁴ | Housing + sunshield + heater. 230 V~ |
| 168WWIR110/24⁴ | Housing + sunshield + heater + integrated wiper. 24 V~ |
| 168WWIR110/230⁴ | Housing + sunshield + heater + integrated wiper. 24 VDC |

| | |
|--------------|--|
| ¹ | Usable front window diameter: 130 mm. Thickness: 5 mm. Tempered glass |
| ² | Usable front window diameter: 104 mm. Thickness: 12 mm. Vandal resistant glass |
| ³ | Usable front window diameter: 70 mm. Thickness: 3 mm. Germanium, AR/DLC coating |
| ⁴ | Usable front window diameter: 110 mm. Thickness: 3 mm. Germanium, AR/DLC coating |

MOUNTING ACCESSORIES

| | |
|----------------|--|
| SSBK168 | Wall mounting bracket with swivel joint for 168 Series |
| SSPM168 | Pole mount adapter for SSBK168 |

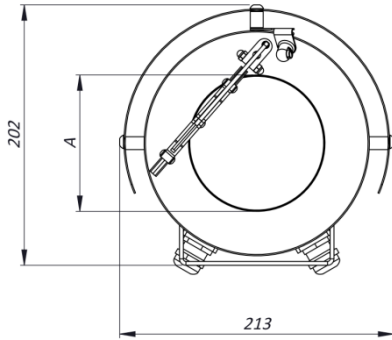
ACCESSORIES AND SPARE PARTS

| | |
|------------------|---|
| RX2410 | Telemetry controller for fixed wash/wiper housings |
| WB168 | Wiper blade (complete assembly) |
| WBK168 | Wiper blade (only spare part: rubber blade and support) |
| HK168/24 | 15W heater kit (24VUC) |
| HK168/230 | 15W heater kit (230V~) |
| MK168 | Maintenance kit with O-Ring seals, screws seals, screws, cable glands (2), desiccant bags |

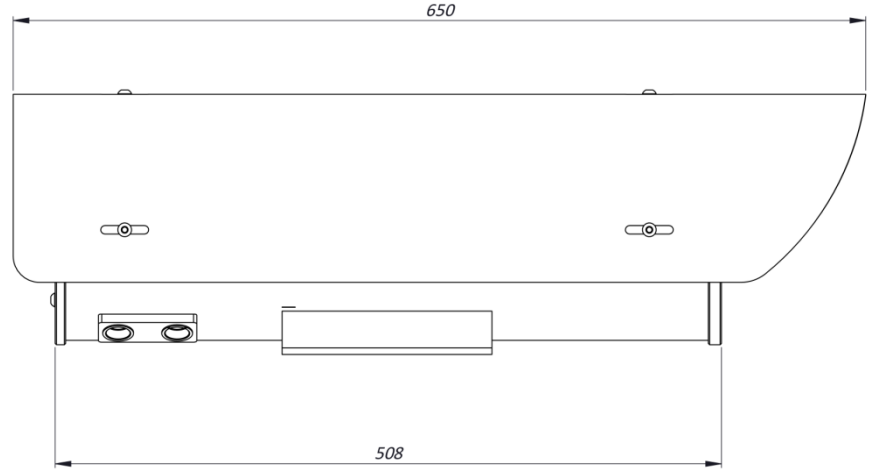
STAINLESS STEEL CAMERA STATION

DIMENSIONS

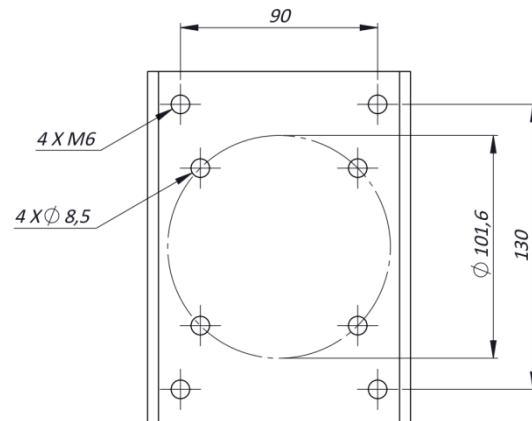
FRONT VIEW



SIDE VIEW



MOUNTING PATTERN



FOR "A" VALUES CHECK "MODELS" SECTION

MAX INTERNAL USABLE AREA

| Model | Max internal dimensions [mm] | Max usable internal diameter [mm] |
|-------|------------------------------|-----------------------------------|
| 168SH | 96x96x348 | 131 |
| 168WW | 96x96x348 | 123 |