

# TECNOVIDEO

CCTV SYSTEMS AND ACCESSORIES

## 168LC SERIES

STAINLESS STEEL CAMERA STATION

SAFE AREA

AISI316L STAINLESS STEEL CONSTRUCTION  
FOR USE IN HIGHLY CORROSIVE ENVIRONMENTS  
EASY INSTALLATION AND MAINTENANCE  
LIQUID COOLING SYSTEM  
WEATHERPROOF STANDARD IP66/IP67  
SUITABLE FOR ANALOG AND IP CAMERAS  
DAY/NIGHT AND IR THERMAL VERSIONS AVAILABLE  
REFINED AND MODERN DESIGN



168LC LIQUID COOLED CAMERA HOUSING

### TECHNICAL SPECIFICATIONS

#### GENERAL & MECHANICAL

<b>Dimensions</b>	See drawings next page
<b>Operating Temperature</b>	See "Temperature" section
<b>Construction</b>	AISI316L Stainless Steel
<b>Finish</b>	Electro-polished
<b>Mounting</b>	See drawings next page
<b>Cable entries</b>	2 M20x1,5 threaded holes. Cable glands not included

<b>Weight</b>		
<b>Model</b>	<b>Unit [kg]</b>	<b>Package [kg]</b>
168LC/168LCIR	18	20

#### TEMPERATURE

**Borosilicate glass window (housing model 168LC70 and 168LC110)**

Temperature [°C]		Temperature [°F]	
External	Internal	External	Internal
200	23	392	74
300	33	572	92
400	45	752	113

**Zinc Selenide window (housing model 129LCIRZ70)**

Temperature [°C]		Temperature [°F]	
External	Internal	External	Internal
200	23	392	74
300	33	572	92

Temperatures may differ depending on environmental factors, water flow and air flow. Internal tests performed using ~6 l/min [-1,59 US gal/min] water flow and ~6 bar air pressure in front air barrier

#### CERTIFICATIONS

<b>Ingress Protection(EN 60529)</b>	IP66/IP67
<b>EMC</b>	EN 61000-6-3:2007; EN 50130-4:1995 + A1:1998 + A2:2003
<b>LVD</b>	EN 60950-1:2006 + A11:2009
<b>RoHS</b>	2011/65/EU
<b>WEEE</b>	2012/19/EU

#### MODELS

<b>168LC70<sup>1</sup></b>	Liquid cooled camera housing. UW:70
<b>168LC110<sup>1</sup></b>	Liquid cooled camera housing. UW:110
<b>168LCIRG70<sup>2</sup></b>	Liquid cooled camera housing. UW:70
<b>168LCIRZ70<sup>3</sup></b>	Liquid cooled camera housing. UW:70

- <sup>1</sup> UW= Usable front window diameter. Thickness: 5 mm. Borosilicate glass (Borofloat), with high chemical resistance and low thermal expansion
- <sup>2</sup> UW= Usable front window diameter. Thickness: 3 mm. Germanium, AR/DLC coating. Recommended environmental temperature not above 100°C/212°F
- <sup>3</sup> UW= Usable front window diameter. Thickness: 5 mm. Zinc Selenide with AR/AR coating

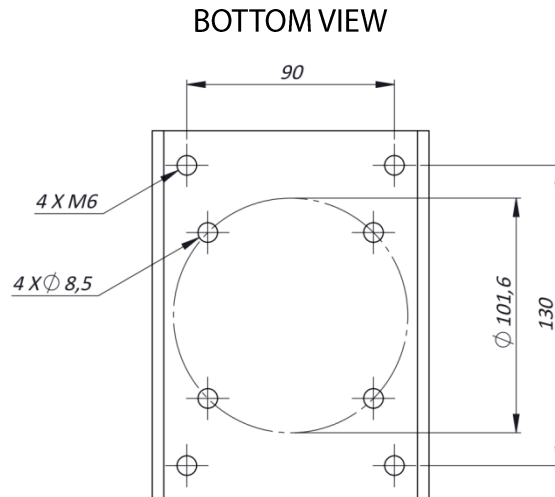
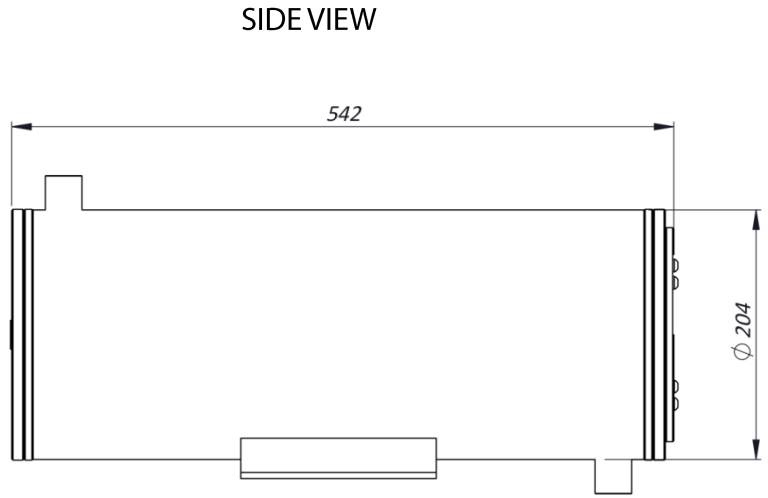
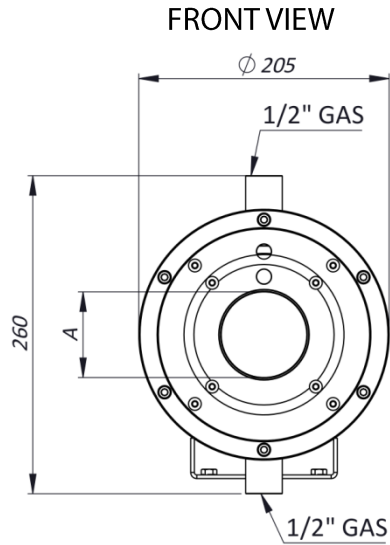
#### MOUNTING ACCESSORIES

<b>SSBK168LC</b>	Wall mounting bracket with swivel joint for 168LC Series
<b>SSPM168LC</b>	Pole mount adapter for SSBK168LC

#### ACCESSORIES AND SPARE PARTS

<b>MK168LC</b>	Maintenance kit with Viton O-ring seals, screws seals, screws, desiccant bags
<b>ABFL-01</b>	Air filtering battery 20 – 5 – 0.1 micron (for air barrier front flange)

## DIMENSIONS



FOR "A" VALUES CHECK "MODELS" SECTION

### MAX INTERNAL USABLE AREA

Model	Max internal dimensions [mm]	Max usable internal diameter [mm]
168LC/168LCIR	116x116x445	145